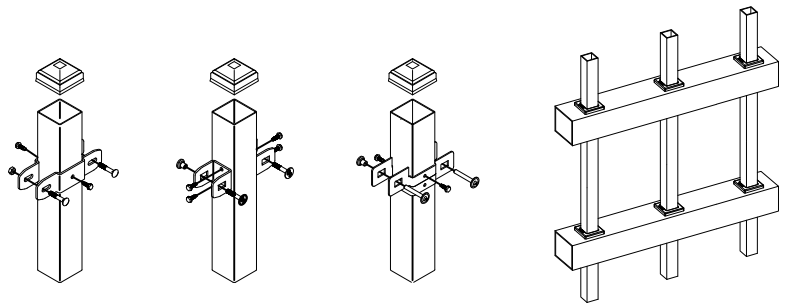
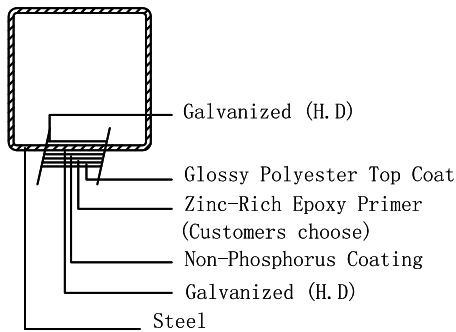
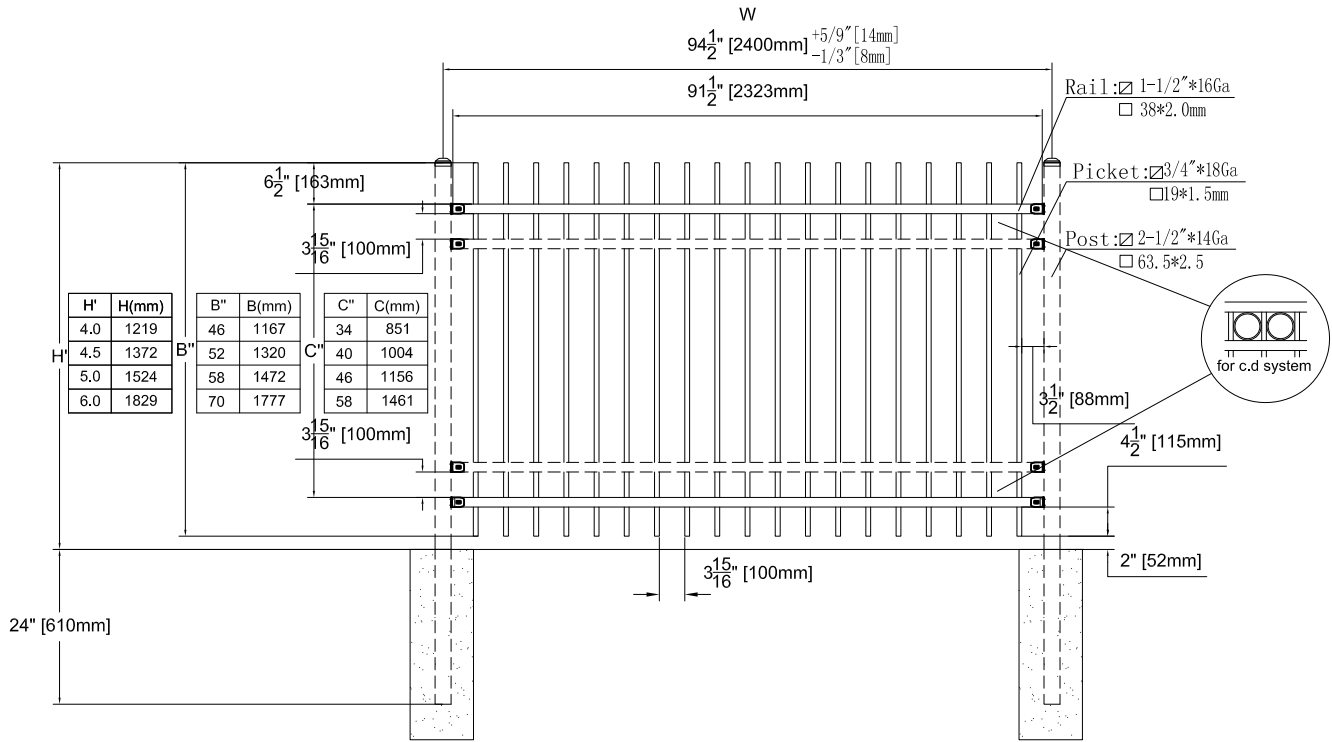


Post size		*W	
in	mm	in	mm
□ 2-1/2"	63.5	94-1/2"	2400
□ 3"	75	95	2411



ITEM	Size(mm)	Size(")	Material	Q'Ty	CLIENT
Picket	19*19*1.5	3/4*3/4*16Ga	Q195		USA
Rail	38*38*2.0	1 1/2*1 1/2*14Ga	Q235		
Post	63.5*2.5	2 1/2*2 1/2*12Ga	Q235		
					Product description
					*C**08-P
Design	A. Z	Standardization	D.FF		
Drawing	D.FF	Approve	A. Z		
Revise	X.G	Date:08-31-2015			
Auditing	M.ZQ				REVISIONS
				DESCRIPTION	DATE
				APPRO	



XCEL Fence Inc
 910 E Cedar St.
 Ontario, CA 91761 USA
 Tel: (866)392-0808
 Fax: (909)392-0999
 www.xcelfence.com
 E-mail: info@xcelfence.com