



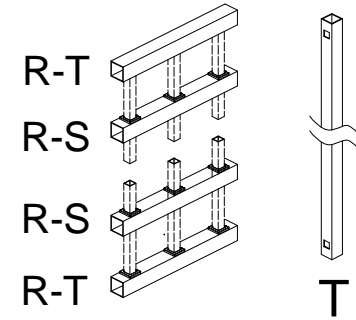
Autodesk Installation Steps

ET → DT

E 4-Rail

T Flat Top/Flat Bottom-Vail

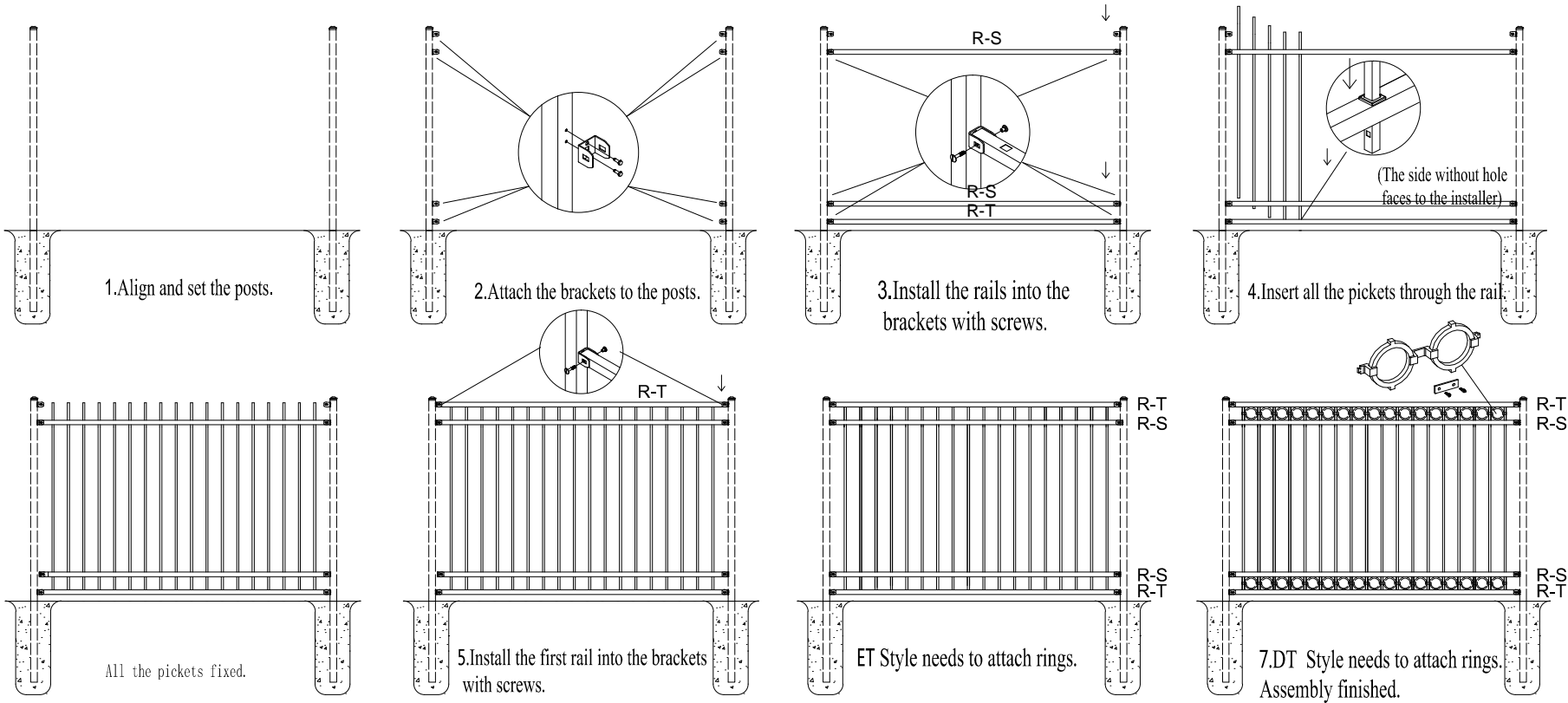
D 4-Rail w/Top & Bottom Ring



R-T: One-side-holes rail
R-S: Through-holes rail

Autodesk

Autodesk



Autodesk^{ET} → DT