



Autodesk Installation Steps

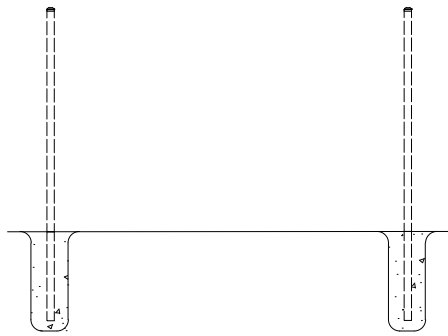
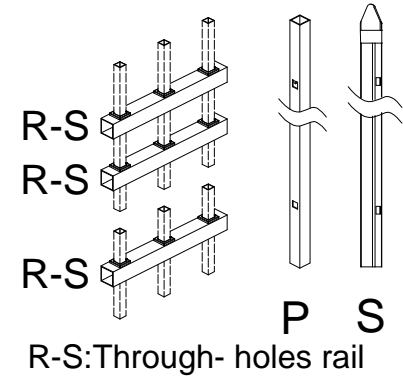
BP/S → CP/S

B 3-Rail

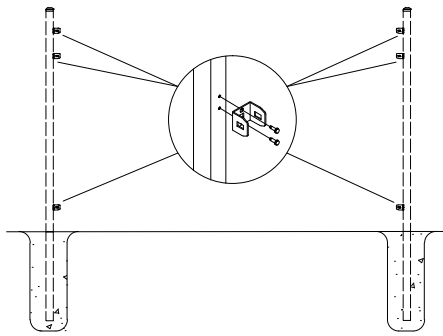
P Picket Top/Picket Bottom-Powderhorn

C 3-Rail w/Top Ring

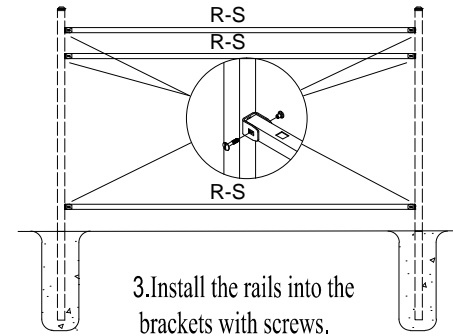
S Pressed Top/Picket Bottom-Stowe



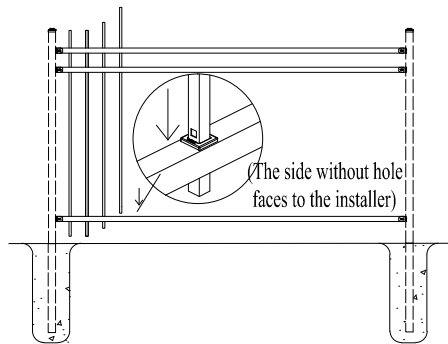
1. Align and set the posts.



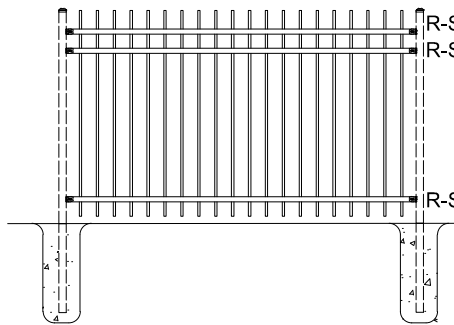
2. Attach the brackets to the posts.



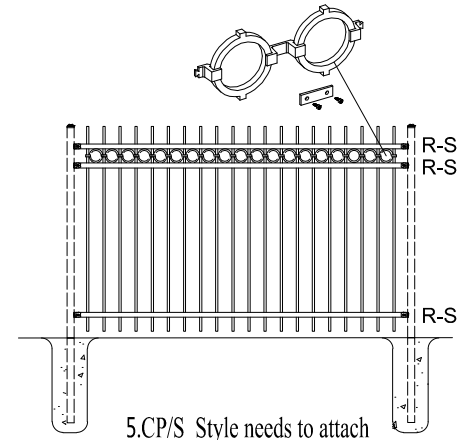
3. Install the rails into the brackets with screws.



4. Insert all the pickets through the rails.



BP/S Style needs to attach rings.



5. CP/S Style needs to attach rings. Assembly finished.

BP/S → CP/S