

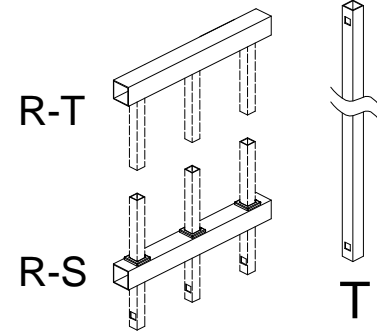


Autodesk Installation Steps

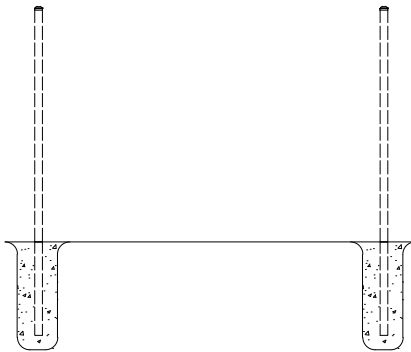
AT

A 2-Rail

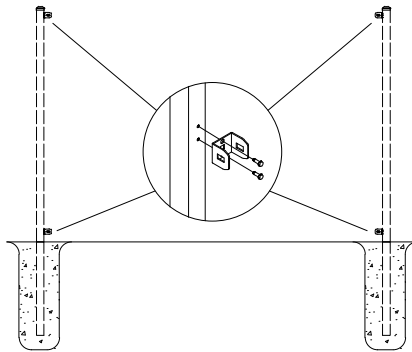
T Flat Top/Flat Bottom-Vail



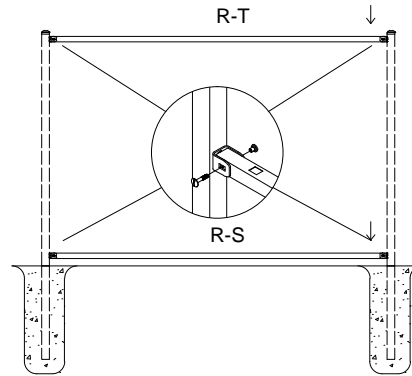
R-T: One-side-holes rail
R-S: Through-holes rail



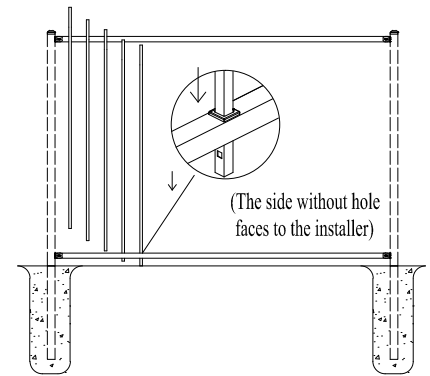
1. Align and set the posts.



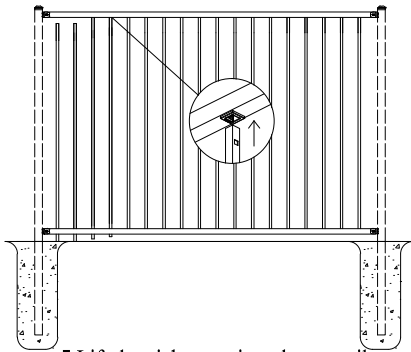
2. Attach the brackets to the posts.



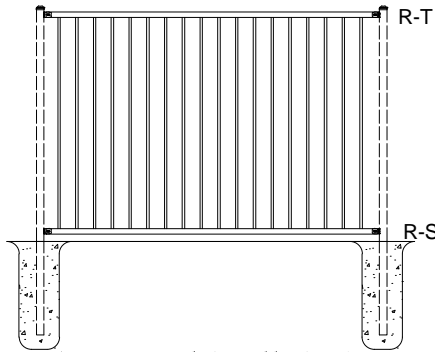
3. Install the rails into the brackets with screws.



4. Insert all the pickets through the rail.



5. Lift the pickets up into the top rail.



AT fence panel installation is finished.