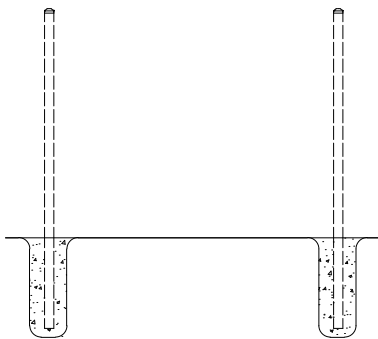
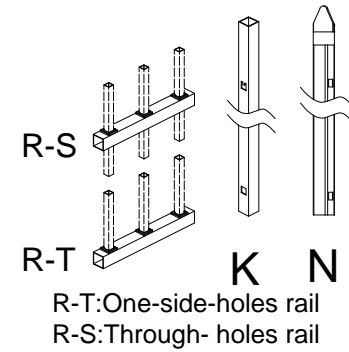




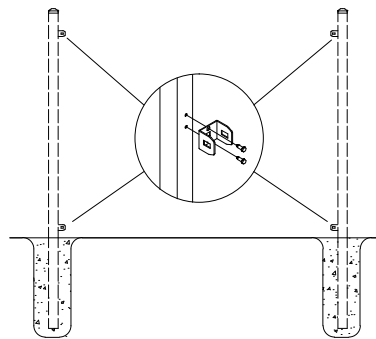
Autodesk Installation Steps

AK/N

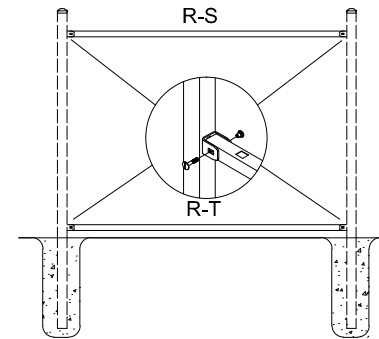
A 2-Rail K Picket Top/Flat Bottom-Killington
 N Pressed Top/Flat Bottom-Aspen



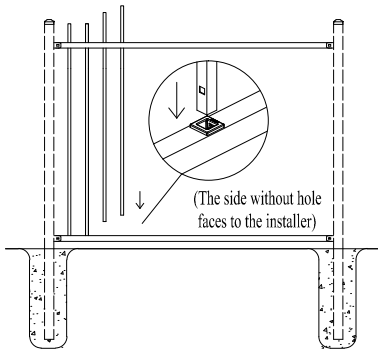
1. Align and set the posts.



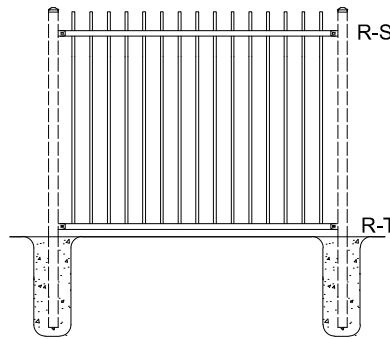
2. Attach the brackets to the posts.



3. Install the rails into the brackets with screws.



4. Insert all the pickets through the bottom rail.



AK/N fence panel installation is finished.