

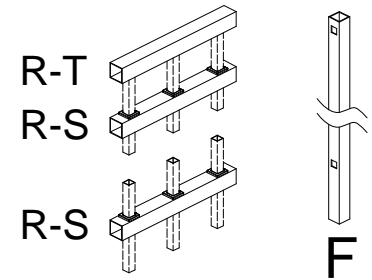


Autodesk Installation Steps

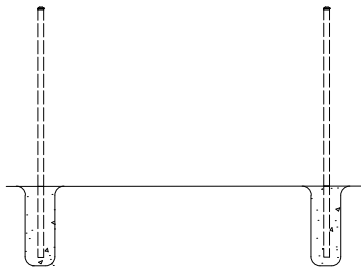
BF → CF

B 3-Rail F Flat Top/Picket Bottom-Cortina

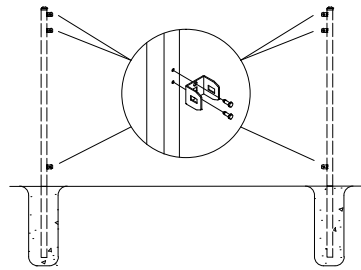
C 3-Rail w/Top Ring



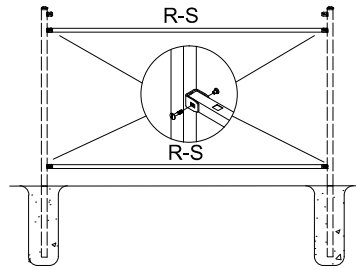
R-T: One-side-holes rail
R-S: Through-holes rail



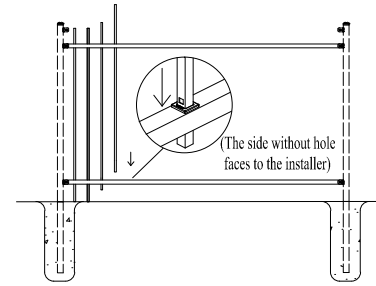
1. Align and set the posts.



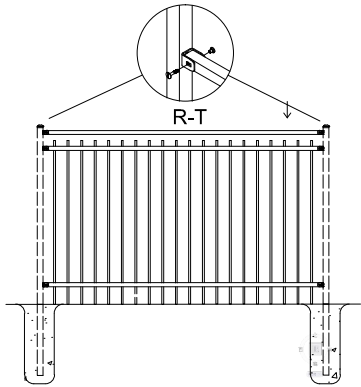
2. Attach the brackets to the posts.



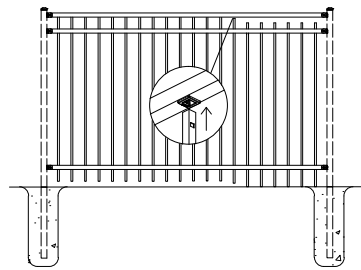
3. Install the second and the third rails into the brackets with screws.



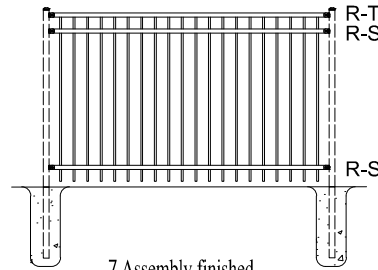
4. Insert all the pickets through the rails.



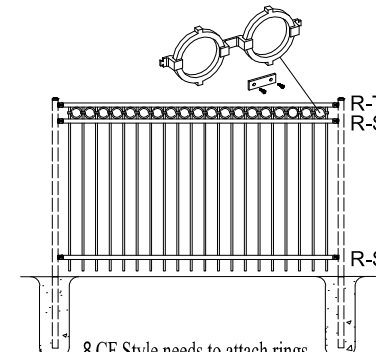
5. Install the first rail into the brackets with screws.



6. Lift the pickets up into the top rail.



7. Assembly finished.



8. CF Style needs to attach rings.

Autodesk BF → CF