



# Autodesk Installation Steps

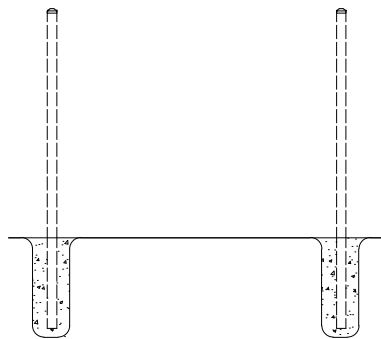
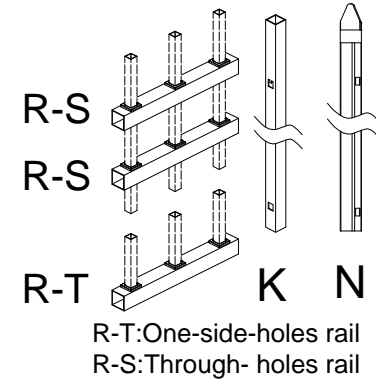
BK/N → CK/N

B 3-Rail

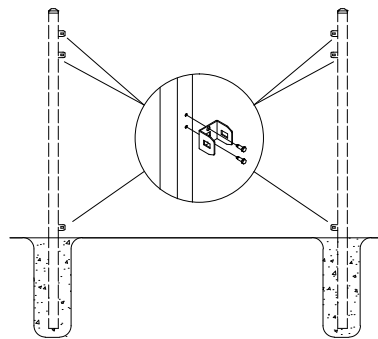
K Picket Top/Flat Bottom-Killington

C 3-Rail w/Top Ring

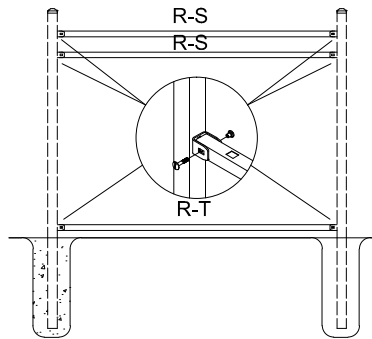
N Pressed Top/Flat Bottom-Aspen



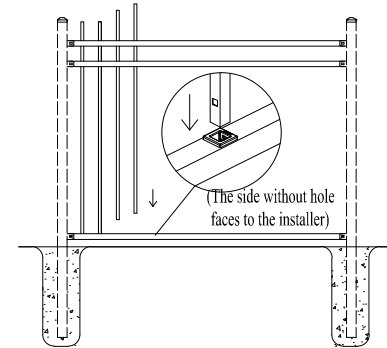
1. Align and set the posts.



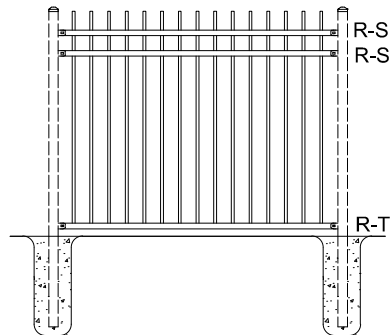
2. Attach the brackets to the posts.



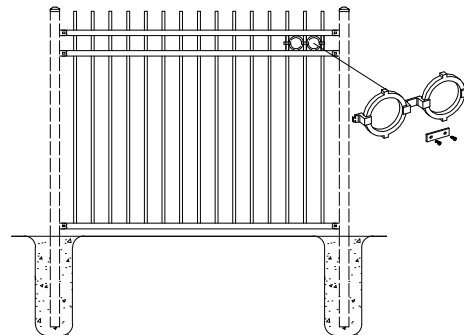
3. Install the rails into the brackets with screws.



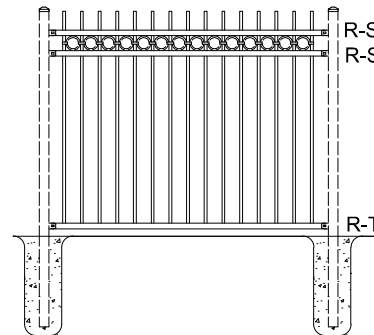
4. Insert all the pickets through the rail.



BK/N fence panel installation is finished.



5. Assemble rings to top rails.



CK/N fence panel installation is finished.

BK/N → CK/N