



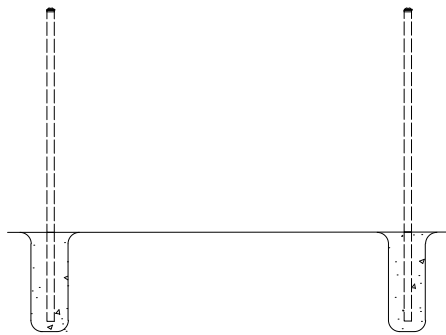
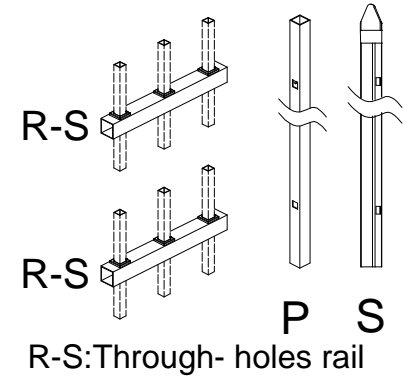
# Autodesk Installation Steps

AP/S

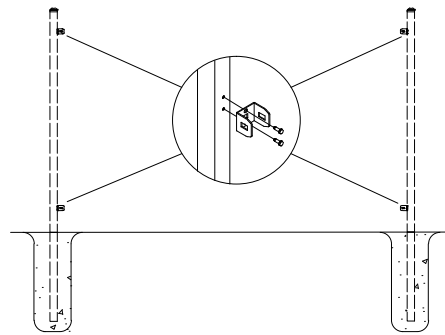
A 2-Rail

P Picket Top/Picket Bottom-Powderhorn

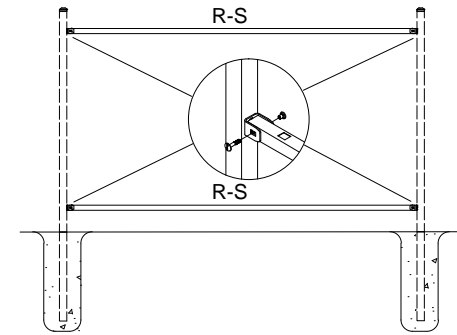
S Pressed Top/Picket Bottom-Stowe



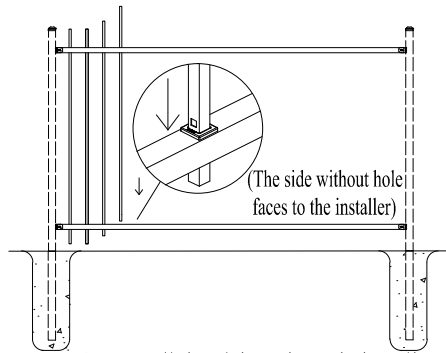
1. Align and set the posts.



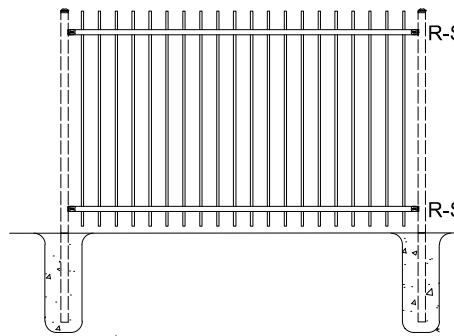
2. Attach the brackets to the posts.



3. Install the rails into the brackets with screws.



4. Insert all the pickets through the rails.



AP/S fence panel installation is finished.